

W White-Westinghouse

INTERNATIONAL

Factory Parts Catalog

Product No.	WSPE25V9GS2
Series	R134a System
Color	stainless
Volts	220
Wiring Diagram	241796600
Owner's Guide	241801200
Market	Export
Energy Guide	241732553
Service Data Sheet	240420911

INTERNATIONAL
3 Parkway Center, Pittsburgh, PA 15220

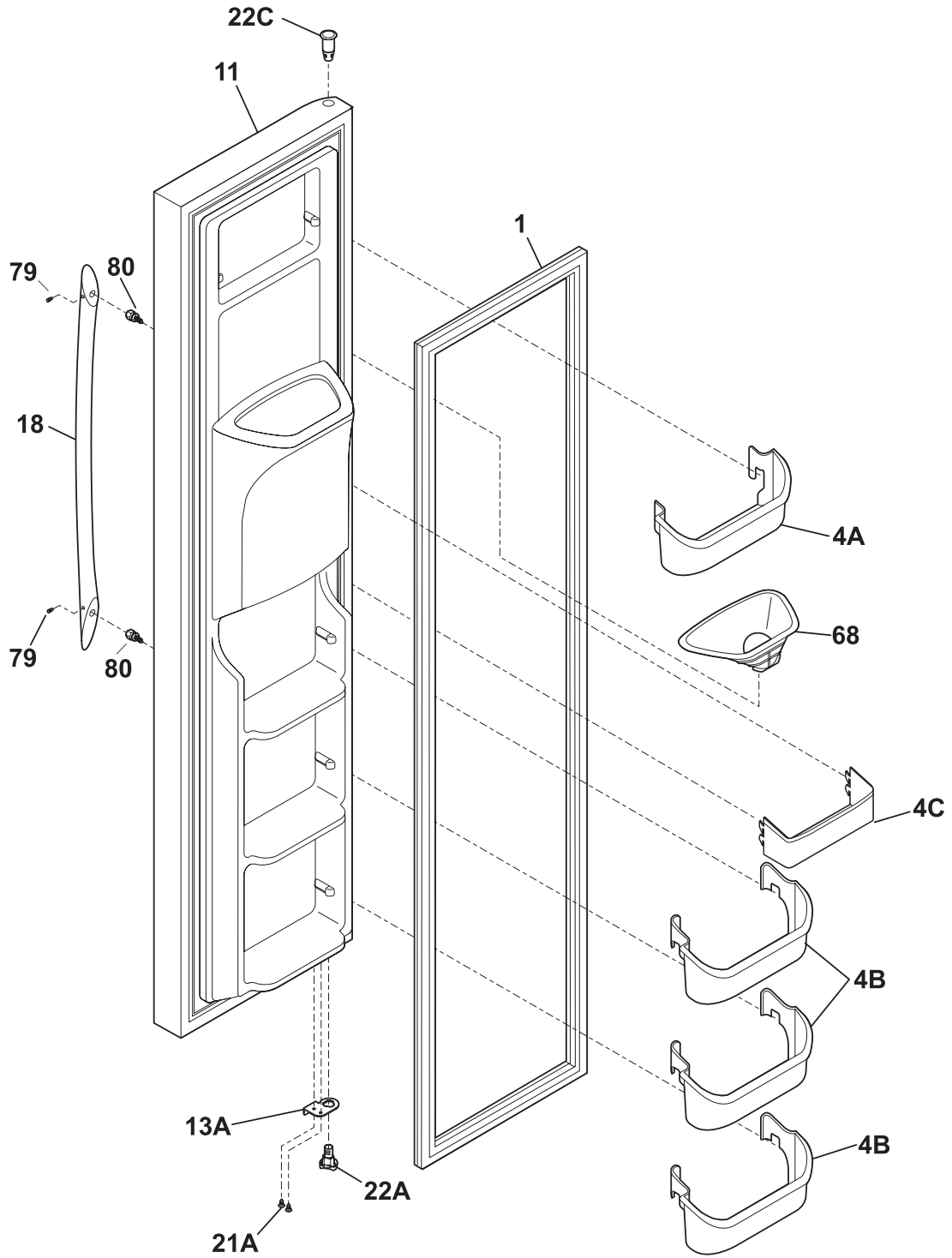
Publication No.
5995506242
08/02/05
(EN/SERVICE/DCS)
137

SIDE-BY-SIDE REFRIGERATOR

Model No.
WSPE25V9G

Copyright © 2008 Electrolux Home Products, Inc.
All rights reserved.

FREEZER DOOR

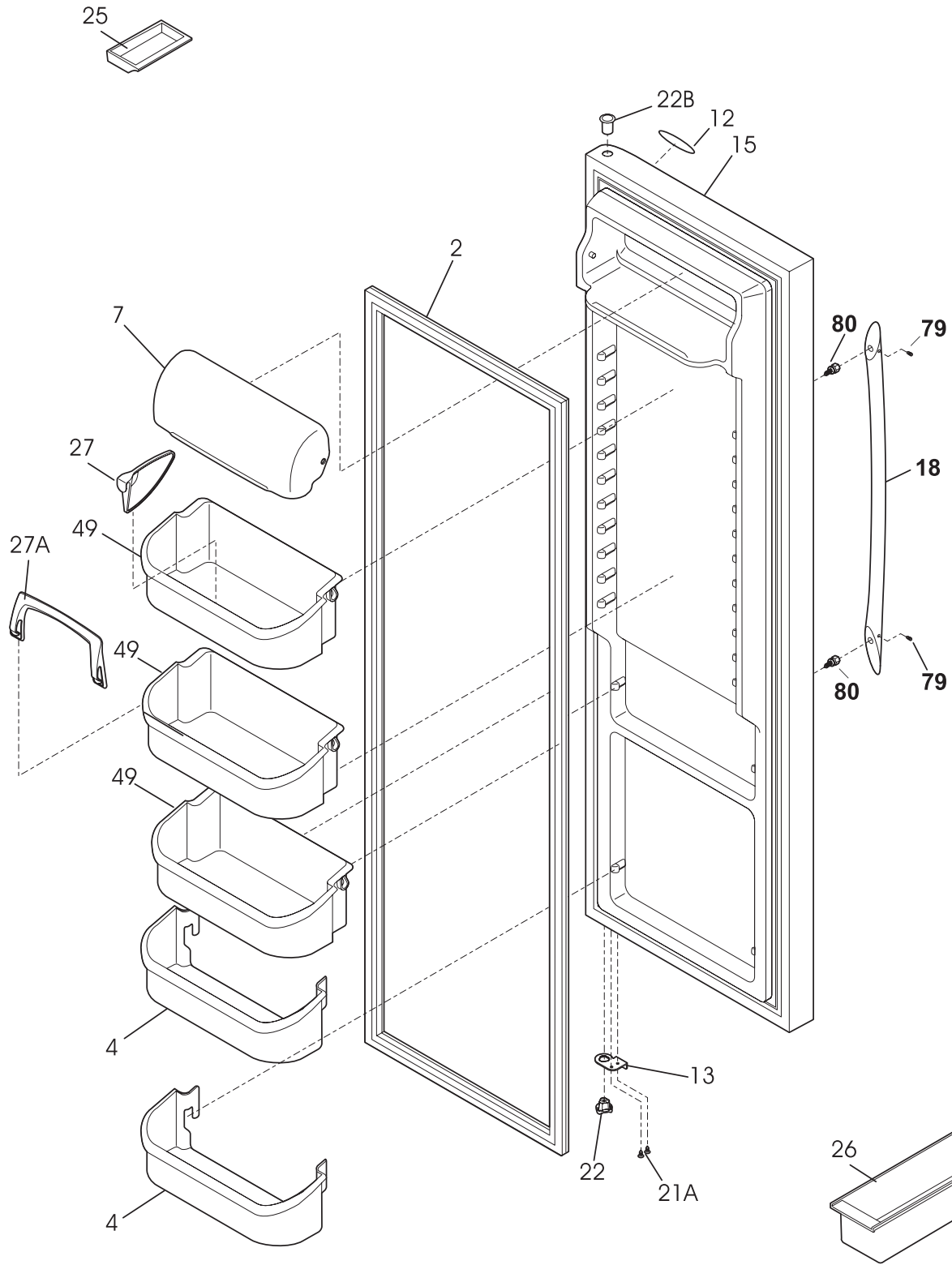


N58FFCBCB1

FREEZER DOOR

POS. NO	PART NO.	DESCRIPTION
1 #	241786004	Gasket-frzr door, white, magnetic
4A	240367302	Bin-door, frzr-upper
4B	240359002	Bin-door
4C	240358402	Bin-door, frzr-dispenser
11	241615171	Door, frzr, stainless steel
13A	240581902	Door Stop, white, frzr
18	297065300	Handle-door
21A	240598402	Screw, 10-32 x 1/2
22A	240328202	Bearing-hinge(frz), closer
22C	240328402	Bearing-hinge, natural, upper
68	241525101	Chute-ice
79	218755402	Screw-set, 10-32 x 0.375
80	218755504	Screw-shoulder, #10 AB, handle mounting
*	241599703	Harness-wiring, door
*	240451503	Screw, ind hex wshr hd, 8-32 x 0.375, trilobe
*	241806601	Connector-water, straight
*	5303918273	Dispenser heater kit, 220

REFRIGERATOR DOOR



N58RFDCAA0

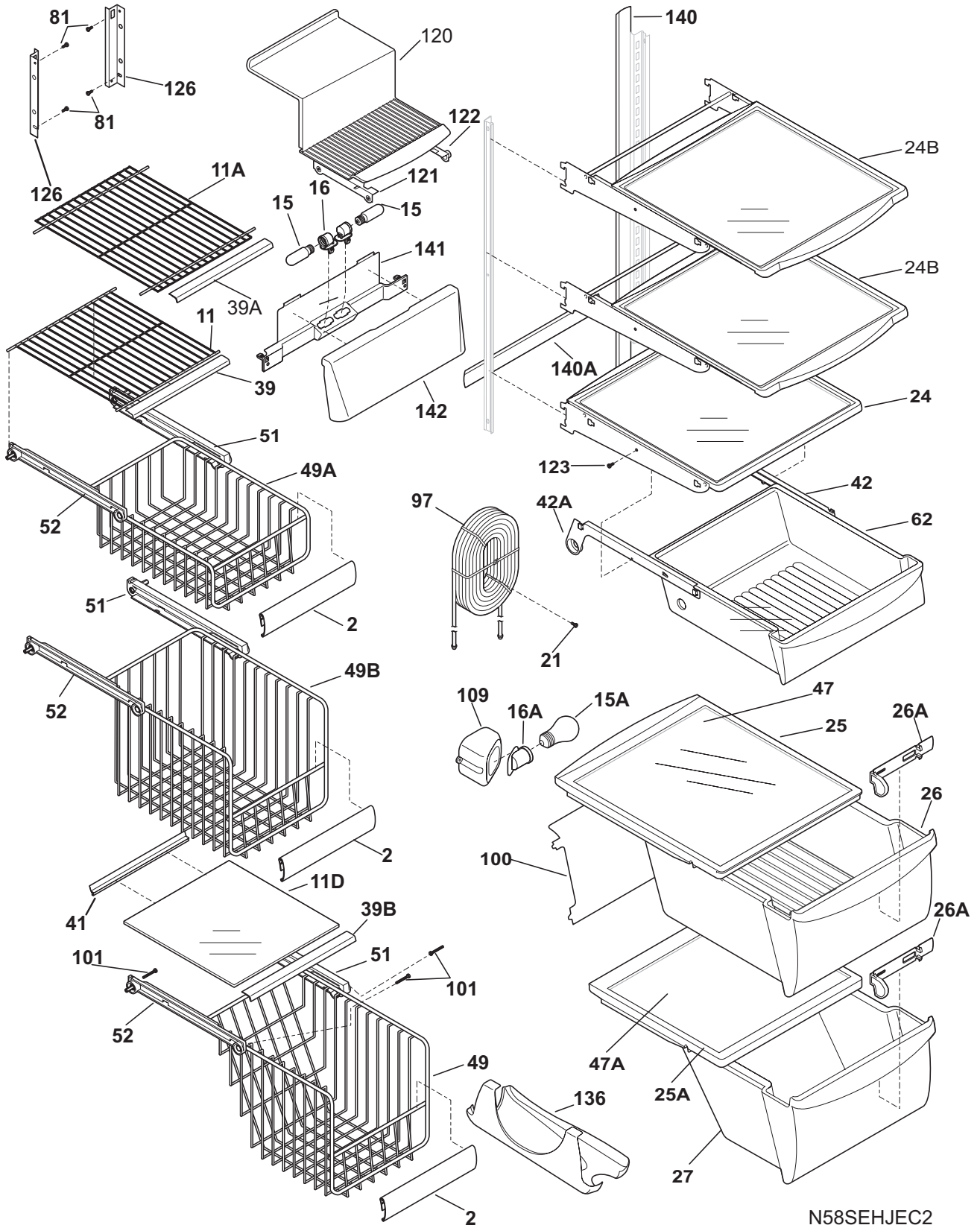
REFRIGERATOR DOOR

POS. NO	PART NO.	DESCRIPTION
2	241786003	Gasket-refr door, white, magnetic
4	240363702	Bin-door, 2-liter
7	240338318	Door-dairy
12	240578101	Label-nameplate
13	240581901	Door Stop, white, refr
15	241629343	Door-refr, stainless, complete assy
18	297065300	Handle-door
21A	240598402	Screw, 10-32 x 1/2
22	240328201	Bearing-hinge(ref), closer
22B	240328402	Bearing-hinge, natural, upper
25	5308000716	Dish, butter
26	3204522	Container, egg
27	240396302	Snugger, paddle type
27A	240396102	Retainer, tall bottle
49	240324502	Bin-door, gallon
49*	241780302	Liner, bin, bin
79	218755402	Screw-set, 10-32 x 0.375
80	218755504	Screw-shoulder, #10 AB, handle mounting

CABINET

POS. NO	PART NO.	DESCRIPTION
10	240435913	Cover-air duct
10A	240475910	Cover-evap coil, lower
11	5303208309	Plug-hole, factory test
14 #	240505801	Switch, light/lamp
14A	241547901	Switch-light/lamp, frzr door
21C	218252201	Screw, #8 truss hd, 10-32CA x 0.500
22	240457701	Plate-door closer
23	240402702	Screw-#10-32 x 1/4 flat hd
28	241708801	Bolt-roller adj, hex washer head, 1/4-20 x 4.020, (2), special
30	241603703	Bracket-lower hinge, ref
30A	241603704	Bracket-lower hinge
37	240337614	Trim-cabinet corner, silver mist, (2)
38	240327207	Bracket-upper hinge
40	241816004	Cover-upper hinge, eyebrow, silver metallic
41	241550801	Grommet-shelf mtg, 1.40" long
41*	241550701	Grommet-shelf mtg, .96" long
42	240578902	Screw, hex head, 1/4-20 x 5/8
43	241882901	Roller Assy, adjustable, front, (2)
45	241500303	Screw, hex washer head, 8-18AB x 0.500
47	240349402	Channel-shelf mtg, side, (2)
58	218781101	Screw, pan head, 8-18 x 0.625
66	5304424968	Damper Cover Assy
66*	240518802	Pin-push, push-in, plastic
72	240324415	Grille/Kickplate, silver mist
81	5304455650	Screw, hex washer head, 8-15A x 0.625, low profile
82	5304418225	Roller, compressor base, rear, (2)
83	5304455655	Rivet, flat head, 1/4 OD x 1-3/4, roller pin
89	241736403	Cover-access, with label
90	218249807	Seal-coil cover
92	241710601	Screw, hex washer hd, 1/4 x 7/8, hinge mtg
100	240423701	Support, crisper cover, front, (4)
100*	240350802	Support, crisper cover, rear, (4)
*	240396801	Clamp, tube/wiring, nylon, black/natural
*	240479601	Plug, button, cab liner holes

SHELVES

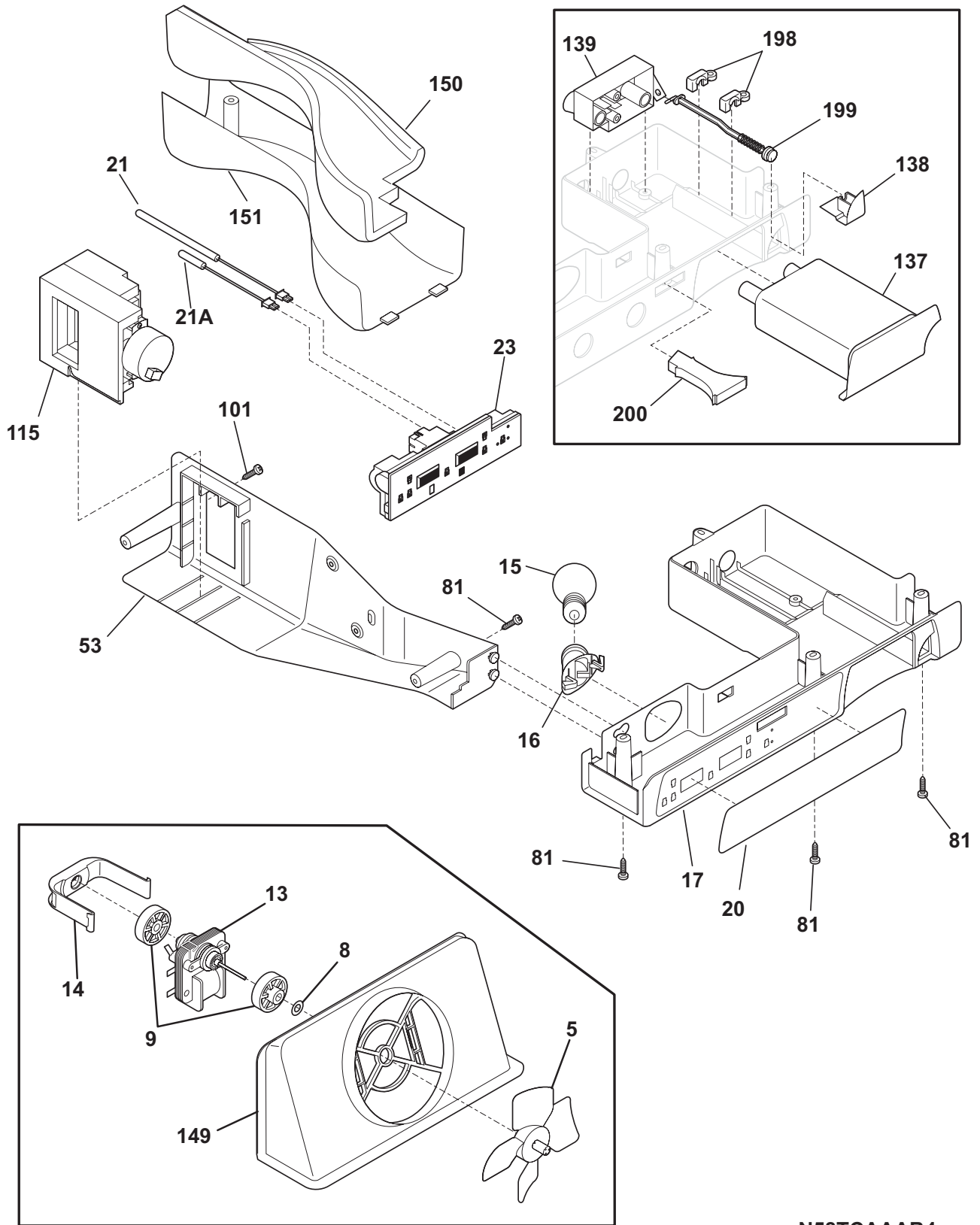


N58SEHJEC2

SHELVES

POS. NO	PART NO.	DESCRIPTION
2	241510603	Trim-basket
11	241657601	Shelf, flip up, wire
11A	241657503	Shelf, fixed upper, freezer
11D	240350642	Shelf-freezer, glass
15	241552804	Light Bulb
15A	218814401	Light Bulb
16	241608601	Socket-light
16A	218971501	Socket-light/lamp
16A*	241537505	Harness-wiring
21	5304455658	Screw, hx wshr hd sems, 8-15A x 0.625
24	241711311	Shelf, fixed, Spill Safe
24B	241711009	Shelf, Spill-Safe, sliding
25	240354502	Cover-crisper pan, upper
25*	240362101	Clip-slide, cover-crisper
25A	240354602	Cover-crisper pan, lower
26	240354721	Pan, crisper
26*	240349801	Clip-slide, pan-crisper
26A	240351101	Control-humidity
27	240354824	Pan, crisper lower
39	240367601	Trim-shelf, front
39A	240430705	Trim-shelf, front
39B	240430701	Trim-shelf, front
41	241571203	Trim, shelf, rear
42	240356501	Track, meat pan hanger, RH
42A	240349701	Hanger-meat pan, LH
42A*	240349901	Block-meat pan rail, LH
47	241711256	Insert-pan cover, glass
47A	240350614	Insert-pan cover, glass
49	240530401	Basket-sliding
49A	240530501	Basket-sliding, upper, half
49B	240530503	Basket-sliding, upper, full
51	240343002	Hanger-basket, RH
52	240343102	Hanger-basket, LH
62	240355523	Pan, pan-meat
81	5304455650	Screw, hex washer head, 8-15A x 0.625, low profile
97	240545307	Water Tank
100	240326303	Cover-water tank
101	218493101	Screw, hex washer head, 8-18AB x 1-3/4
109	240351301	Base-crisper light socket
120	241691801	Shelf-ice cream
121	241561001	Rail-ice cream shelf, LH
122	241561101	Rail-ice cream shelf, RH
123	215005101	Screw, hanger/rlr mtg, 8-10 x 7/16
126	241674401	Channel, auger mtg, LH
126	241674402	Channel, auger mtg, RH
136	241657701	Dispenser-can, white
140	240430501	Channel, wtr tube cover
140A	240430503	Channel, wtr tube cover
141	240585401	Bracket-light socket
142	240582703	Shield-light Mid Level

CONTROLS

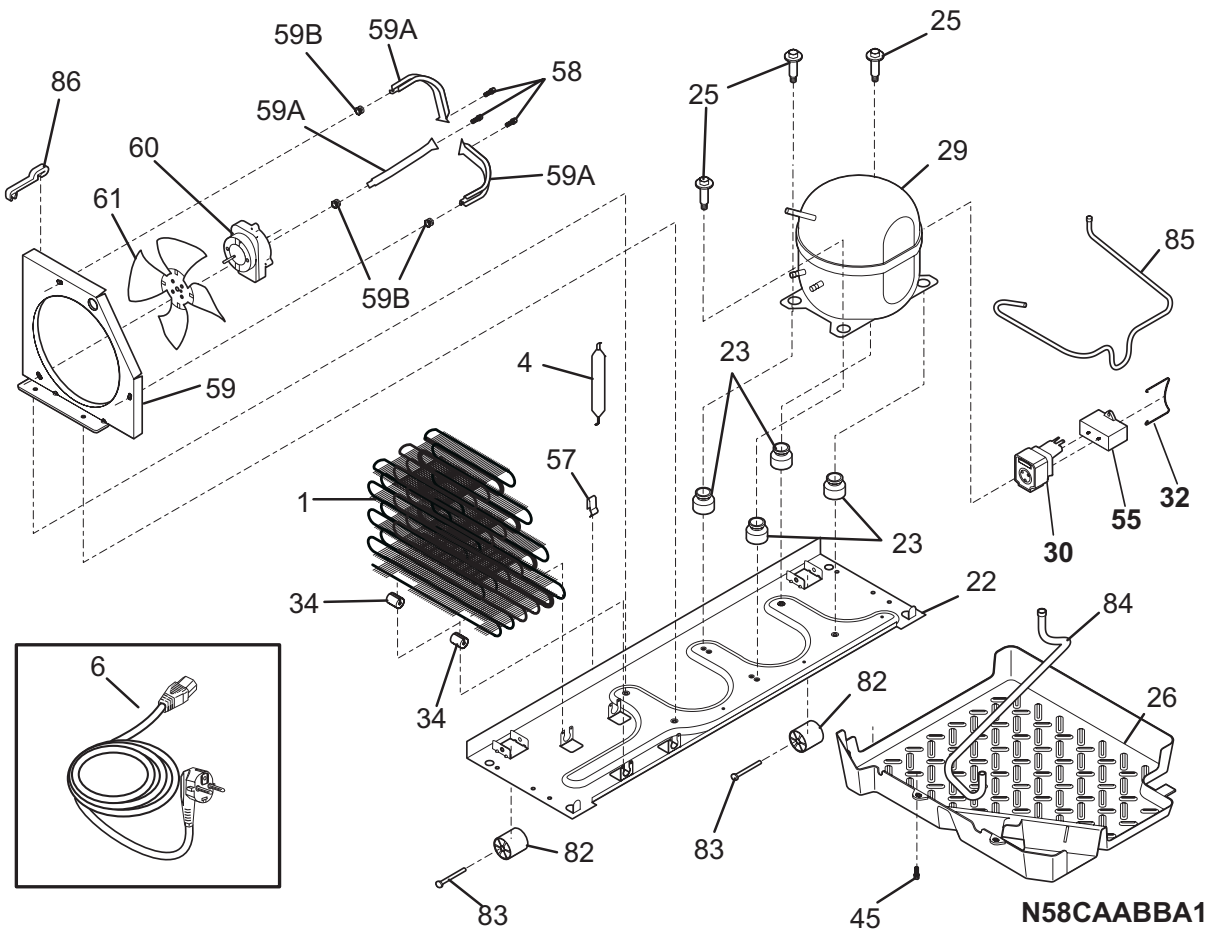
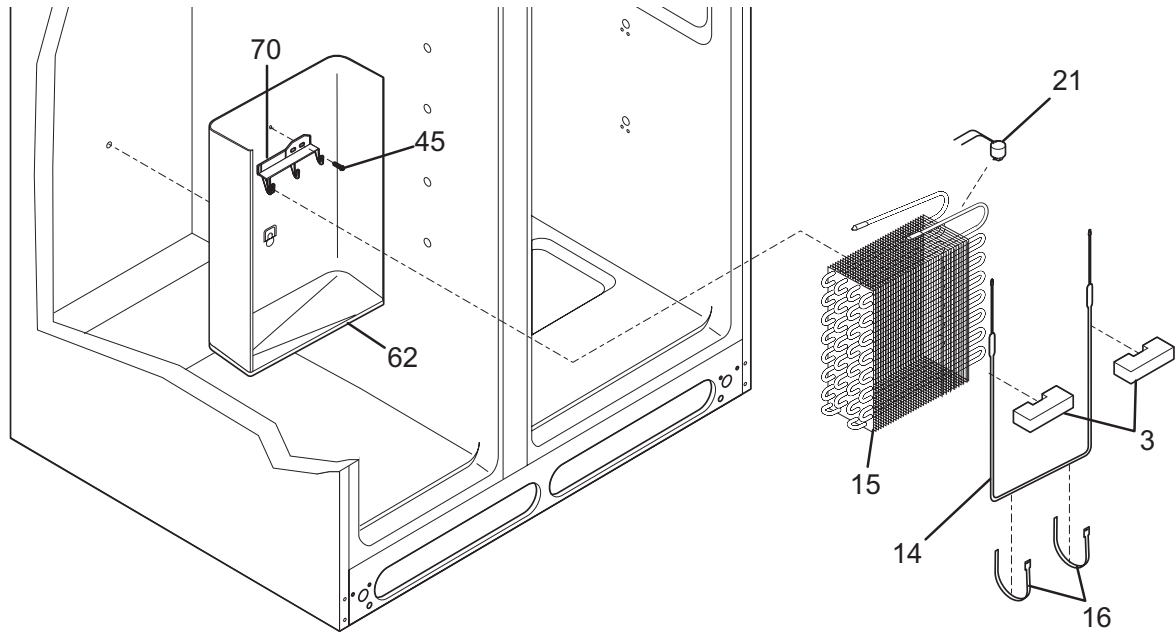


N58TCAAAB4

CONTROLS

POS. NO	PART NO.	DESCRIPTION
5 #	5308000010	Fan Blade, red, evaporator fan
8	215474201	Washer, "slinger", nylon, evap fan shaft
9	241563601	Bushing-motor mtg, (2)
13 #	240419601	Motor-evap fan, 220V
14	241517701	Clip, evap fan motor
15	218814401	Light Bulb
16	218971501	Socket-light/lamp
17	241633401	Box-control, front
17*	240600501	Harness-wiring, control box
20	241807801	Label-control box
21 #	241608401	Thermistor-refr
21A#	241608501	Thermistor-frzr
23 #	241739706	Control, electronic
23*	5304455651	Screw, hex washer head, 8-15A x 0.500
53	241608901	Box-control
81	5304455650	Screw, hex washer head, 8-15A x 0.625, low profile
101	241637202	Screw, #8AB x 1 3/4"
115#	241600904	Damper Assy, 220, w/seal
137	240396401	Filter, water, carbon cassette, front, with o'rings
137*	240396701	Bypass, water filter, Optional Part
138	240397301	Button-filter release
139	240396002	Base-water filter
139*	240526901	O-ring, wtr filter base
149	241563401	Shroud-fan orifice
149*	241528305	Seal, shroud
150	241505101	Insulation-water tube cover
151	241505001	Cover-water tube
198	240397401	Retainer
199	240397501	Rod
199*	240398401	Spring-filter release rod
200	240397601	Light Pipe
*	3205266	Edge Protector, wiring harness
*	240410601	Shield-light, refr

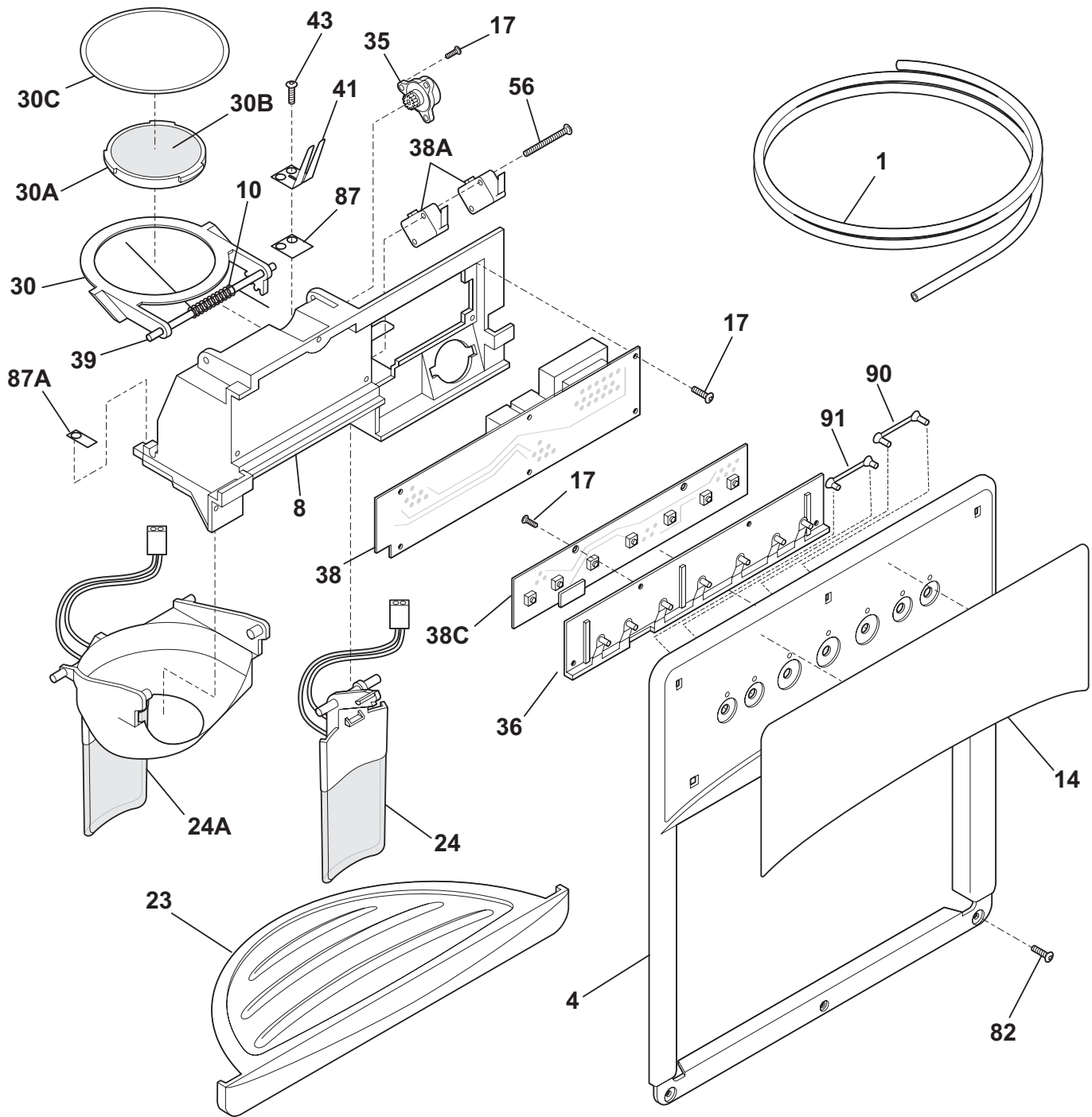
SYSTEM



SYSTEM

POS. NO	PART NO.	DESCRIPTION
1	240333602	Condenser
3	218679606	Block-evap coil, styrofoam, (2)
4 #	218944001	Drier-filter, R134a System
6 #	241723301	Cord-service
6* #	241735901	Bracket
6*	240451503	Screw, ind hex wshr hd, 8-32 x 0.375, trilobe
6*	240555002	Screw-#8-32 X 3/8
6* #	241627301	Harness-wiring, machine compt
6* #	241805102	Harness-wiring
6*	240600501	Harness-wiring, control box
14 #	240316108	Defrost Heater, 220 V
15 #	5303918286	Evaporator Kit
16	5308000110	Strap-evap/heater, aluminum, (2)
21 #	5303918202	Thermostat-defrost, kit
22	240330010	Base-compressor
22*	218252201	Screw, #8 truss hd, 10-32CA x 0.500
23	218513300	Grommet-compr mtg, (4)
25	240491503	Screw-compressor mtg, 1/4-28 x 1.16, (4)
26	241697601	Pan-defrost
29 #	5303918357	Compressor Kit
30 #	241707704	Starter-PTC
32	241809001	Clamp, elec cont mtg, compressor
34	240405201	Grommet, rubber, black, cond tube/wire
45	5304455650	Screw, hex washer head, 8-15A x 0.625, low profile
55 #	218909908	Capacitor, run
57	240542601	Clip-wiring harness
58	240569202	Screw, 8-18 x 0.500
59	240315504	Shroud-cond fan
59*	240346701	Tape-foam seal, shroud
59*	240359403	Screw-fan shroud, (2)
59A	240346502	Bracket-support, cond mtr, (3)
59B	240346601	Grommet-bracket, (3)
60 #	241657101	Motor-condenser fan
61	241639501	Blade-condenser fan
62	240429401	Trough-drain
70	218990801	Bracket-evap/cvr mtg
82	5304418225	Roller, compressor base, rear, (2)
83	5304455655	Rivet, flat head, 1/4 OD x 1-3/4, roller pin
84	5304421068	Tube-drain, lower
85	241719501	Tube-connector, suction
86	240409302	Spacer-cond tube, black
*	5303918244	Hot Tube Repair Kit, service
* #	5303918328	Heat Exchanger Kit, suction line, service
*	241623902	Harness-wiring

ICE & WATER DISPENSER

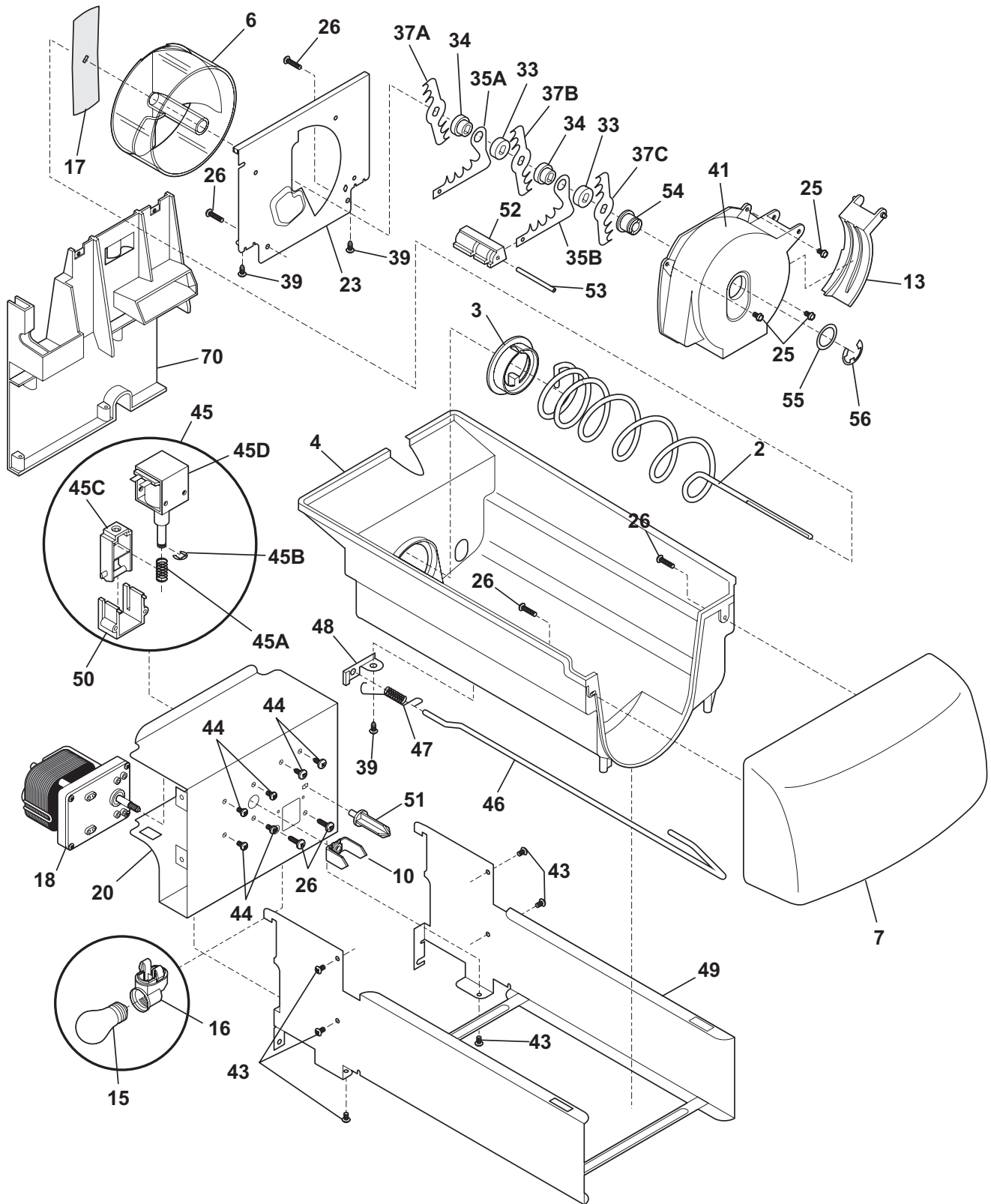


N58XEAAA1

ICE & WATER DISPENSER

POS. NO	PART NO.	DESCRIPTION
1	218976409	Tube, water, door
1*	218976418	Tube-water inlet, inlet valve, to filter
1*	218976419	Tube-water inlet, valve to door
1*	218976915	Tube-water inlet, inlet valve, to filter
1*	240561703	Seal-water inlet, inlet valve, to ice maker
4	241678710	Cover-module, silver metallic
8	241680504	Module-dispenser
10	241688901	Spring-torsion
14	241611212	Label-module cover, silver metallic
17	241679801	Screw
23	241649005	Drip Tray, silver metallic
24	241685704	Actuator, stainless
24A	241682304	Actuator-ice, stainless
30	241688401	Door Assy-ice chute
30A	241688501	Door center
30B	241688601	Insulation-door
30C	241688701	Door seal
35	241689301	Damper-rotary
36	241680301	Carrier
38 #	241527606	Board-power
38*	241686201	Insulator-electrical
38A	241689101	Switch-micro, single pole, double throw
38C#	241699807	Board-control
38C*	241680002	Harness-ribbon cable
39	241688801	Pin-hinge
41	241689001	Spring-actuator
43	215296301	Screw, plask h/l, #6 x 3/8
56	241689201	Screw-micro switch, pan head
82	240363402	Screw-#8-18 X 1/2, #6 hd plask
87	241688302	Bearing Plate
87A	241688301	Bearing Plate
90	241680201	Light Pipe, reflector, long
91	241680101	Light Pipe, reflector, short
*	241623902	Harness-wiring
*	5303918273	Dispenser heater kit, 220

ICE CONTAINER

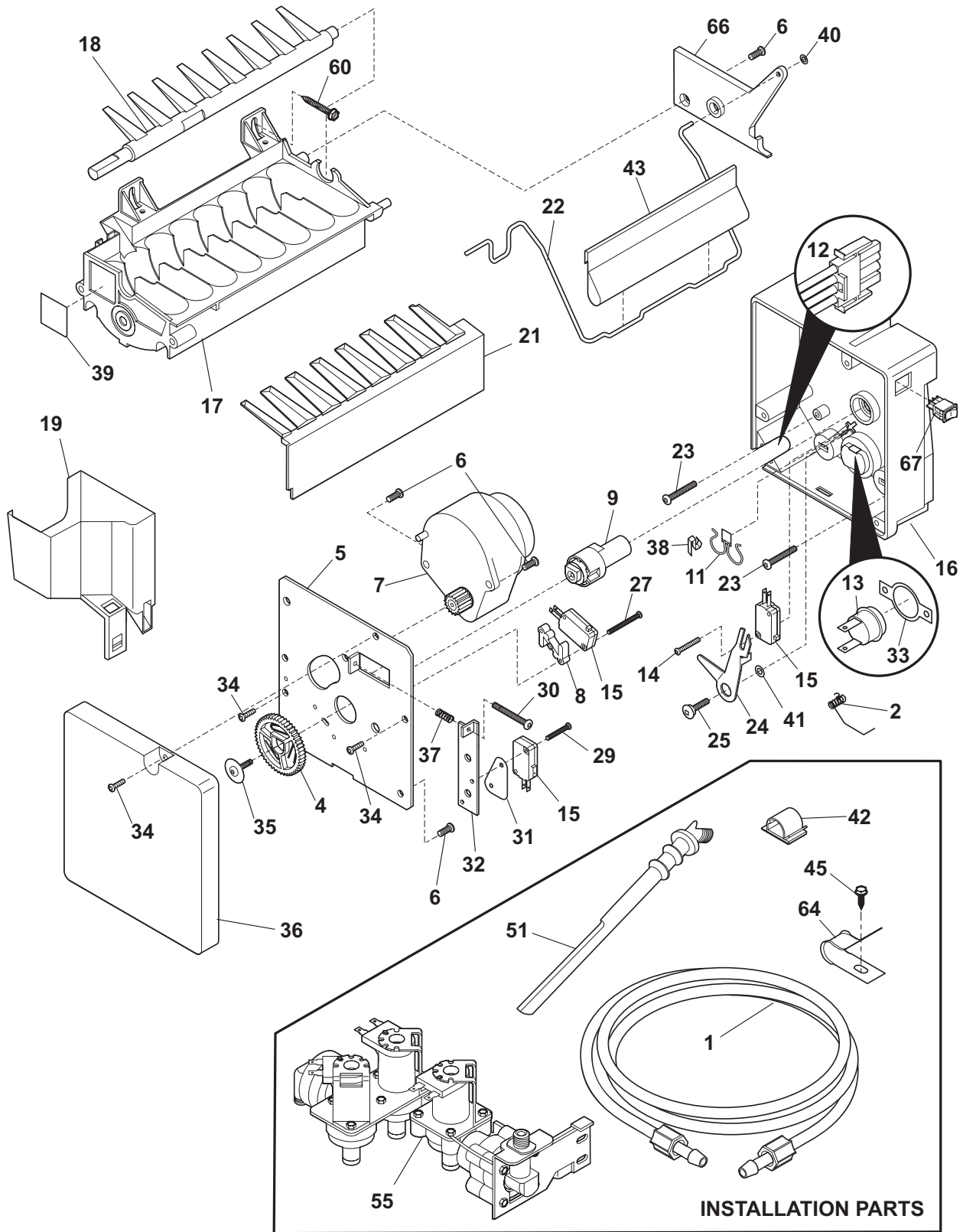


N58YDAAAC6

ICE CONTAINER

POS. NO	PART NO.	DESCRIPTION
2	241716101	Auger-ice
3	241685201	Cam-drive
4	241561302	Container-ice, bucket only
6	241685101	Drum-ice disp
7	241561401	Front-ice container
10	241726501	Bar-drive
13	241685301	Gate
15	218814401	Light Bulb
16 #	240433702	Socket-light/lamp
17	241684501	Drive Blade
18 #	241681001	Motor-auger, 220V
18*	241578401	Wiring Harness, auger motor
20	241734702	Cover-motor
23	241684001	Plate-front
25	241690701	Screw, hex washer head, 8-32T x 0.375
26	215503205	Screw, cr pan hd, 10-16 x 0.500
33	241684801	Spacer
34	241689801	Spacer
35A	241684301	Fixed Blade, round
35B	241684201	Fixed Blade, square
37A	241684101	Blade, crusher #1
37B	241684102	Blade, crusher #2
37C	241684103	Blade, crusher #3
39	241690501	Screw
41	241685601	Housing-crusher
43	215296301	Screw, plask h/l, #6 x 3/8
44	241842101	Screw, 8-32 x 1/4
45 #	241675702	Solenoid Assy, 220V
45A	241675901	Spring-solenoid
45B	241676001	E-Ring-solenoid
45C	241676101	Actuator-solenoid
45D	241675802	Solenoid, 220V
46	241716002	Control Rod
47	241731801	Spring-control rod
48	241684602	Bracket-control rod
49	241734401	Rail Assy
50	241675601	Guide-solenoid
51	241676301	Rotation Stop
52	241684901	Spacer-fixed blades
53	241690402	Pin-spiral, fixed blades
54	241685001	Nut-auger
55	241690306	Washer
56	241690201	E-ring
70	241561501	Plate-mounting
70*	241551602	Screw, hex head, 8-18B x 0.875
70*	241716801	Clip
*	218817300	Shield-light
*	241860804	Ice Container Assy, w/moving parts

ICE MAKER

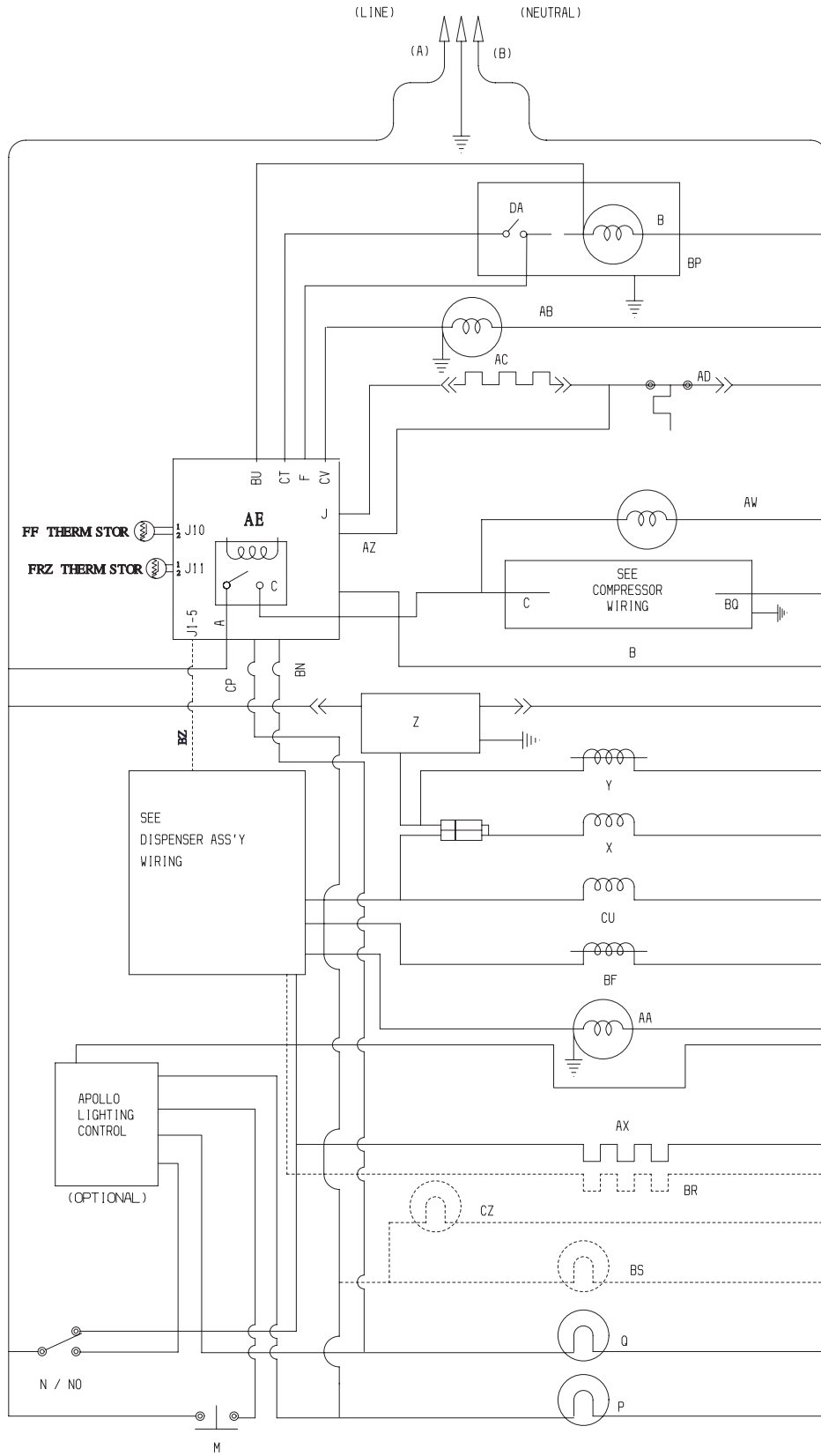


N58115TServo

ICE MAKER

POS. NO	PART NO.	DESCRIPTION
1	218976409	Tube, water, door
1*	218976418	Tube-water inlet, inlet valve, to filter
1*	218976419	Tube-water inlet, valve to door
1*	218976915	Tube-water inlet, inlet valve, to filter
1*	240561703	Seal-water inlet, inlet valve, to ice maker
2	5304459922	Spring, shut-off arm
4	5304458380	Gear
5	5304459907	Plate-mounting
6	5304459913	Screw
7 #	5304459906	Motor-ice maker Svo
8	5304458388	Spacer-hold switch
9	5304456662	Cam
11 #	5304458400	Thermal Cutoff, ice maker
12	5304458379	Harness-wiring
13	5304456665	Thermostat, ice maker
14	5304459918	Screw, plask, 4x14x3/4
15 #	5304456667	Switch-micro, (3)
16	5304459920	Housing-control
17 #	5304459905	Mold-ice maker, with heater
18	5304458377	Ejector-ice
19	5304459904	Cup-water inlet
21	5304458390	Ice Stripper
22	5304459903	Shut-off Arm
23	5304459917	Screw
24	5304459915	Lever Arm
25	5304459916	Screw
27	5304459910	Screw, 4-40 x 1.000, hold switch mtg, (2)
29	5304459909	Screw
30	5304459912	Screw
31	5304458381	Insulator
32	5304456681	Plate-valve switch
33	5304458403	Retainer-thermostat
34	5304459911	Screw
35	5304459908	Screw
36	5304458376	Cover-ice maker
37	5304456682	Spring, timing adjust
38	5304458398	Clip
39	5304458399	Conductor-heat
40	5304458401	Clip-retainer
41	5304459921	Washer
42	218515403	Clip-grille
43	241720601	Extension
45	5304455650	Screw, hex washer head, 8-15A x 0.625, low profile
51	241796403	Tube-water fill, extension
55	241848201	Valve-water, triple solenoid, 220
55*	218709101	Screw, hex head, 10-32 x 0.500
55*	240363602	Screw-shoulder
60	5304455651	Screw, hex washer head, 8-15A x 0.500
64	5304455846	Clamp, .31 ID, steel, water tube
66	5304458374	Bracket-ice maker
67	5304458392	Switch-on/off
*	241583301	Deflector-air, ice maker
*	241709802	Ice Maker, radius cube, 220 V
*	241806601	Connector-water, straight
*	5304456689	Retainer, thermostat
*	5304459914	Screw

WIRING SCHEMATIC



WIRING DIAGRAM

